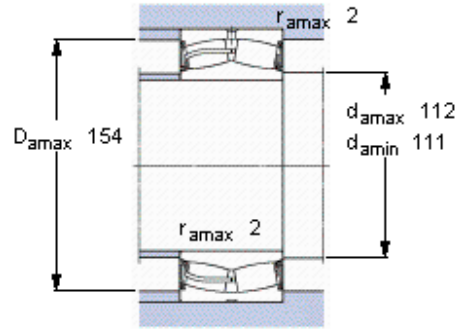
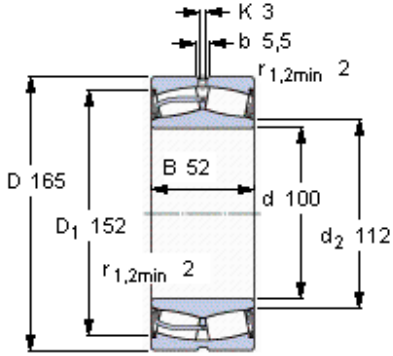


Spherical roller bearings, cylindrical and tapered bore

Principal dimensions			Basic load ratings		Speed ratings	Limiting speed	Designation
d	D	B	dynamic C	static C0	Reference speed r/min		
mm			kN				
100	165	52	386	490	-	850	* SKF Explorer bearing 23120-2CS2/VT143 *



Calculation factors
 e 0,27
 Y_1 2,5
 Y_2 3,7
 Y_0 2,5